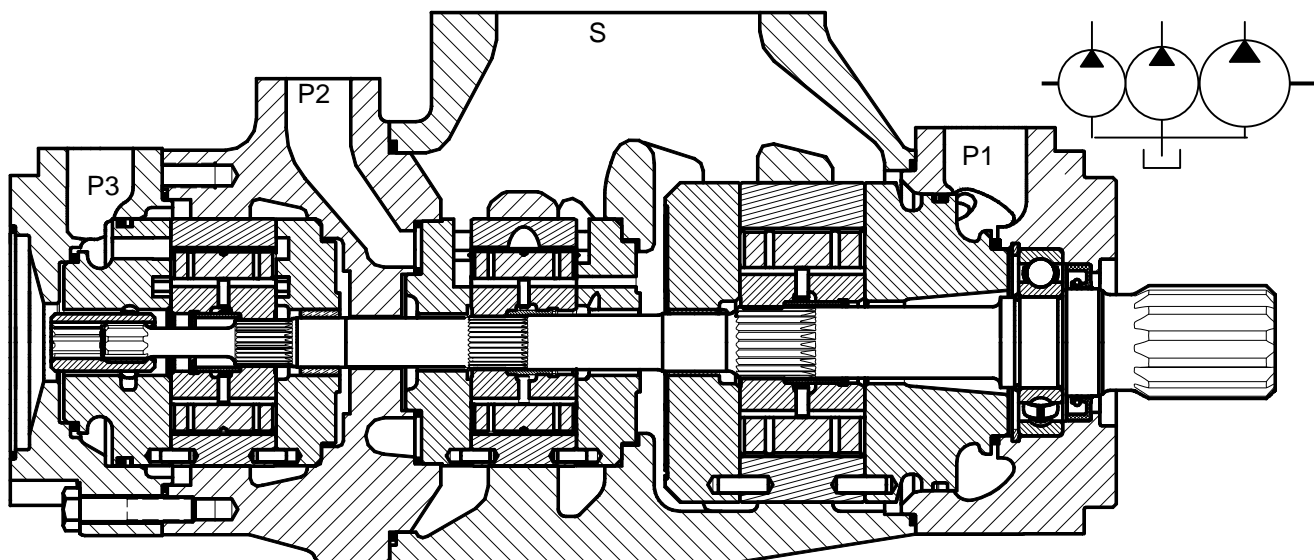


帶尾驅動三聯葉片泵

T6DCCR, T6EDCR 系列

(T6EDCR)



型號說明 ..... 例：T6EDCR-072-042-020-1R00-A1F0

1. **T6EDCR-072-042-020-1R00-A1F0** ..... 系列號

系列	T6DCCR	T6EDCR
----	--------	--------

2. **T6EDCR-072-042-020-1R00-A1F0** ..... 泵芯規格

T6C	T6D	T6E
003 .....10.8	014 .....47.6	042 .....132.3
005 .....17.2	017 .....58.2	045 .....142.4
006 .....21.3	020 .....66.0	050 .....158.5
008 .....26.4	024 .....79.5	052 .....164.8
010 .....34.1	028 .....89.7	057 .....179.8
012 .....37.1	031 .....98.3	062 .....196.7
014 .....46.0	035 .....111.0	066 .....213.3
017 .....58.3	038 .....120.3	072 .....227.1
020 .....63.8	042 .....136.0	085 .....269.0
022 .....70.3	045 .....145.7	
025 .....79.3	050 .....158.0	
028 .....88.8		
031 .....100.0		

3. **T6EDCR-072-042-020-1R00-A1F0** ..... 軸伸

4. **T6EDCR-072-042-020-1R00-A1F0** ..... 轉向

順時針	R
逆時針	L

5. **T6EDCR-072-042-020-1R00-A1F0** ..... 油口佈置

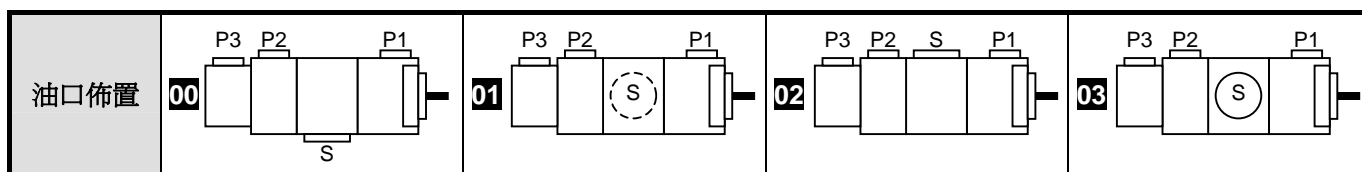
6. **T6EDCR-072-042-020-1R00-A1F0** ..... 設計號

7. **T6EDCR-072-042-020-1R00-A1F0** ..... 密封等級

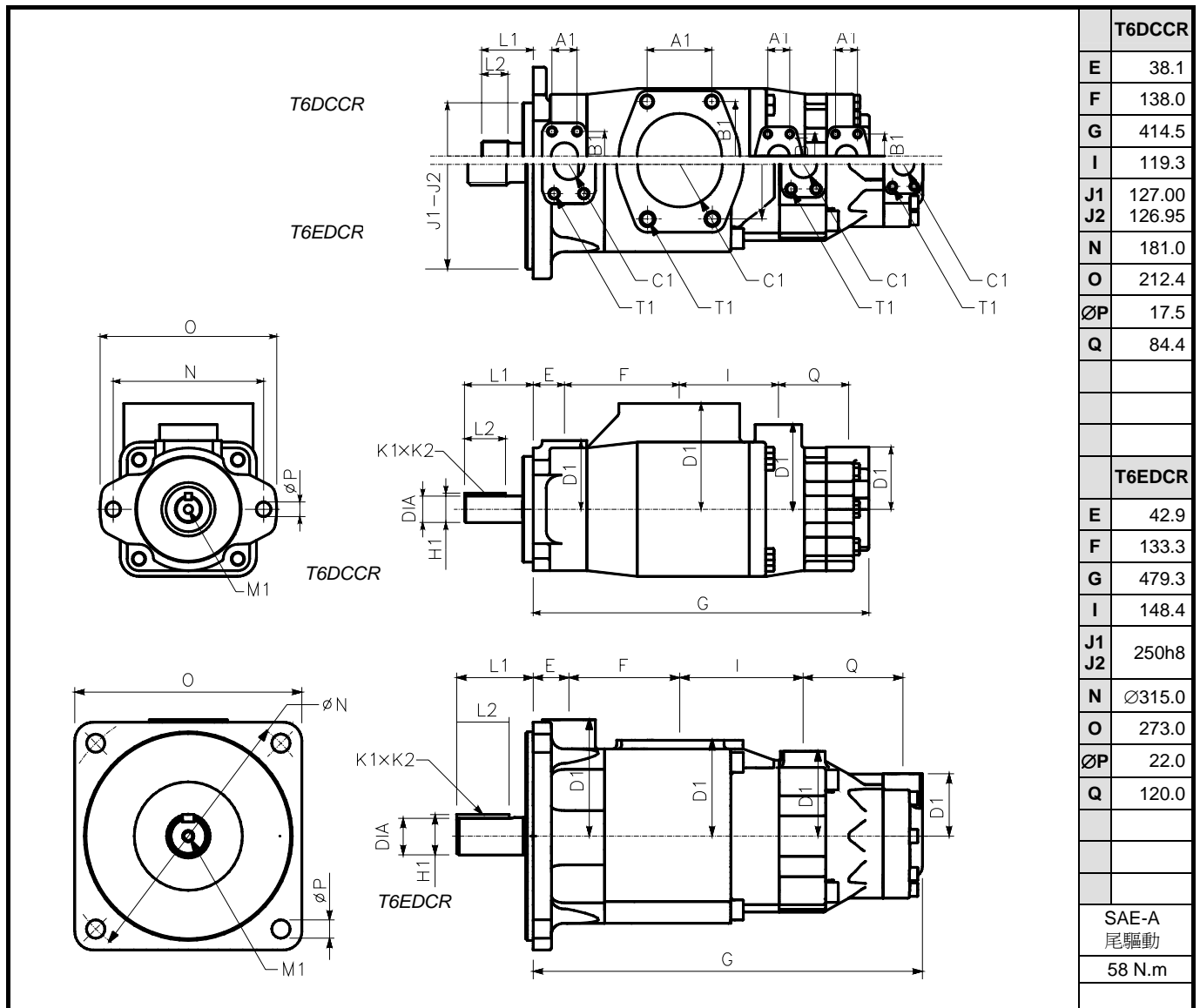
丁晴橡膠：礦物油	1
氟橡膠：礦物油和防火油液	5

8. **T6EDCR-072-042-020-1R00-A1F0** ..... 備選項

		P3 = 3/4"	P3 = 1"
T6EDCR	法蘭式安裝	F1	F0
	支座安裝	P1	P0
T6DCCR	法蘭式安裝	01	00



葉片泵 - 帶尾驅動三聯泵



軸伸	最大扭矩 (N.m)		尺寸 (mm)					
	T6DCCR	T6EDCR	L1	L2	直徑	K1 x K2	H1	M1
1 平鍵: ISO3019-2(Ø45)		●	92.0	63.0	45h7	14h8	48.5	M12 x 24
2 平鍵: SAE CC (Ø38)	1108		89.7	50.8	38.100 - 38.075	9.52 x 9.47		
3 花鍵: SAE D	●		73.8	48.8	Class 1-J498b, 8/16 d.p. - 13 牙			
花鍵: SAE D & E		●	75.0	48.8	Class 1-J498b, 8/16 d.p. - 13 牙			

油口			尺寸 (mm)					
			A1	B1	ØC1	D1	T1 口螺紋	
					公制		UNC	
T6DCCR	P1	1 ¼"	30.2	58.7	31.8	82.6		7/16"-14UNC x 22.3
	P2	1"	26.2	52.4	25.0	101.6		3/8"-16UNC x 19.0
	P3	01: ¾"	22.2	47.7	19.0	74.7		3/8"-16UNC x 19.0
		00: 1"	26.2	52.4	25.4			
S	4"	77.8	130.2	101.6	127.0		5/8"-11UNC x 30.0	
T6EDCR	P1	1 ½"	35.7	69.8	38.1	139.7	M12 x 30.0	
	P2	1 ¼"	30.2	58.7	31.8	101.6	M12 x 24.0	
	P3	◆1: ¾"	22.2	47.7	19.0	74.7	M10 x 19.0	
		◆0: 1"	26.2	52.4	25.4			
S	4"	77.8	130.2	101.6	115.0	M16 x 30.0		