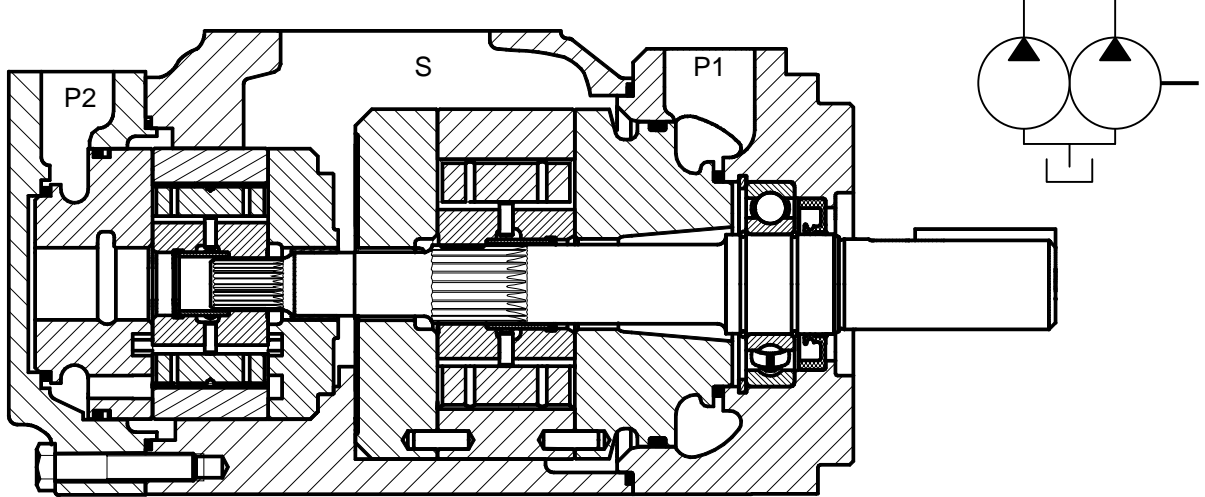


### 雙聯葉片泵

T7BB, T67CB, T6CC 系列  
T67DB, T6DC, T6DDS 系列  
T67EB, T6EC, T6ED, T6EE 系列

(T6CC)



型號說明 ..... 例: T6CC-025-020-1R00-C100 - T6DC-045-014-2R00-C1

1. **T6CC-025-020-1R00-C100** ..... 系列號

SAE 安裝	T7BBS	T67CB T67CBW <sup>1</sup>	T6CC T6 逆時針 <sup>1</sup>	
	T67DB T67DBW <sup>2</sup>	T6DC T6D 順時針 <sup>2</sup>	T6DDS	
	T67EB	T6EC	T6ED	T6EES <sup>3</sup>
公制安裝	T7BB	T6EE <sup>3</sup>		

<sup>1</sup> T67CBW, T6 逆時針: #2 重載軸  
<sup>2</sup> T67DBW, T6D 順時針: #5 重載軸  
<sup>3</sup> T6EE / T6EES: 見“雙聯尾驅動葉片泵”部分。

2. **T6CC-025-020-1R00-C100** ..... 泵芯規格

B	C	D	E
B02.....5.8	003.....10.8	014.....47.6	042.....132.3
B03.....9.8	005.....17.2	017.....58.2	045.....142.4
B04.....12.8	006.....21.3	020.....66.0	050.....158.5
B05.....15.9	008.....26.4	024.....79.5	052.....164.8
B06.....19.8	010.....34.1	028.....89.7	057.....179.8
B07.....22.5	012.....37.1	031.....98.3	062.....196.7
B08.....24.9	014.....46.0	035.....111.0	066.....213.3
B10.....31.8	017.....58.3	038.....120.3	072.....227.1
B12.....41.0	020.....63.8	042.....136.0	085.....269.0
B15.....50.0	022.....70.3	045.....145.7	
	025.....79.3	050.....158.0	
	028.....88.8		
	031.....100.0		

3. **T6CC-025-020-1R00-C100** ..... 軸伸

4. **T6CC-025-020-1R00-C100** ..... 轉向

順時針	R
逆時針	L

5. **T6CC-025-020-1R00-C100** ..... 油口佈置

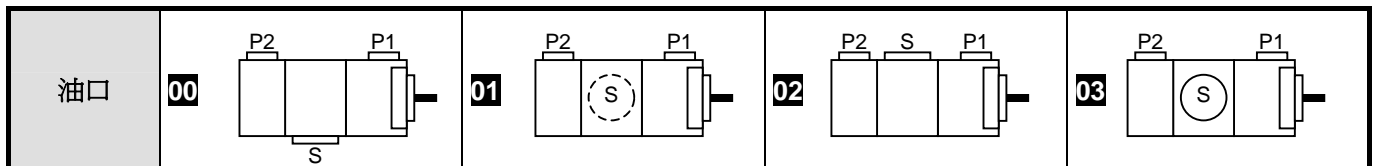
6. **T6CC-025-020-1R00-C100** ..... 設計號

7. **T6CC-025-020-1R00-C100** ..... 密封等級

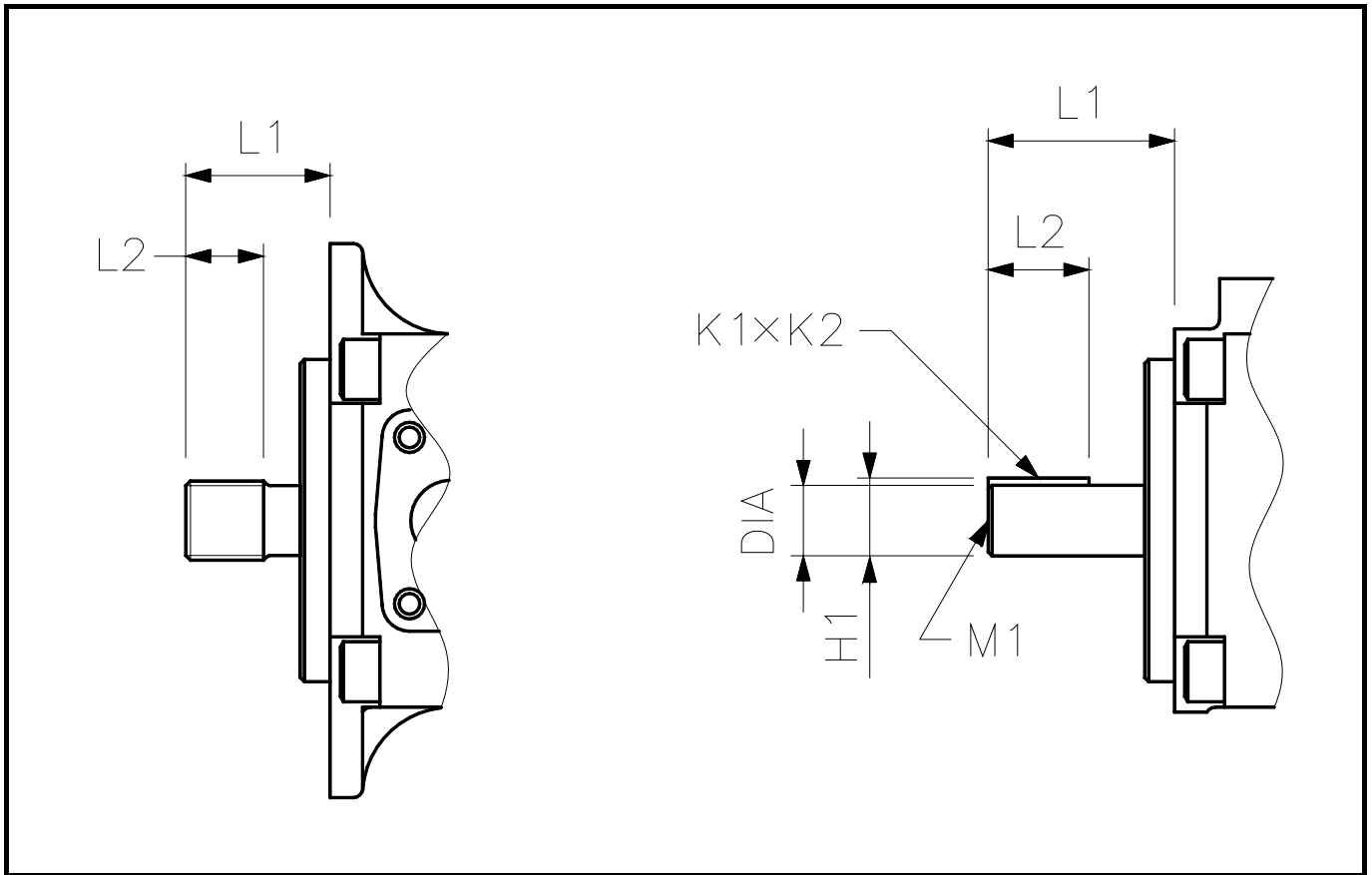
丁晴橡膠: 礦物油	1
氟橡膠: 礦物油和防火油液	5

8. **T6CC-025-020-1R00-C100** ..... 油口尺寸

油口法蘭螺紋	公制			UNC		
	3/4"	1"	1 1/4"	3/4"	1"	1 1/4"
T7BB	M1	M0	-	-	-	-
T7BBS	M1	M0	-	01	00	-
T6CC	S: 2 1/2"	-	-	01	00	-
	S: 3"	-	-	11	10	-
T67CB	M1	-	-	11	-	-
T67DB, T67EB	M1	-	-	01	-	-
T6DDS	-	-	M0	-	-	00
T6DC, T6EC, T6ED	沒有選項					



葉片泵 - 雙聯泵

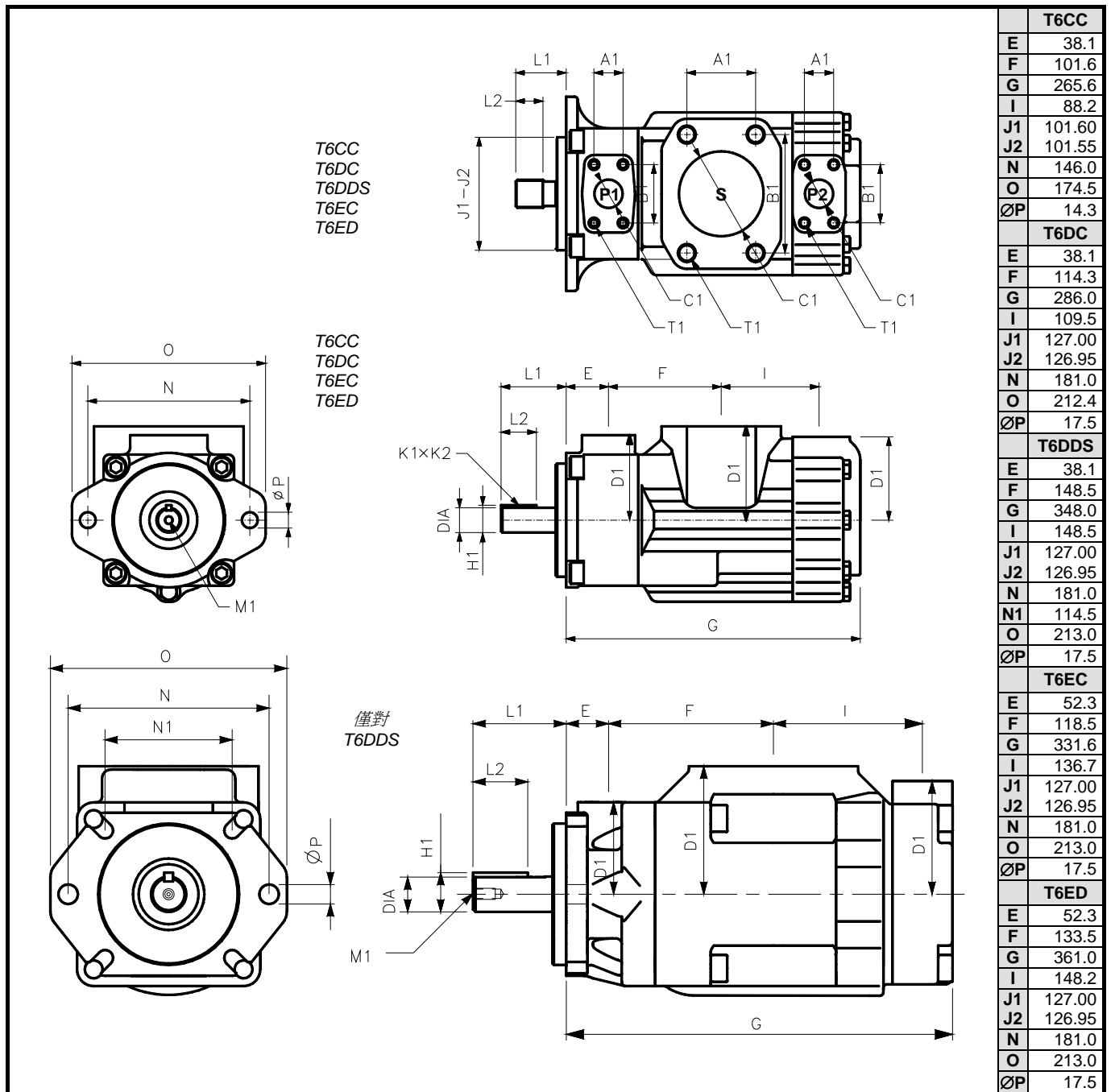


軸伸	最大扭矩 (N.m)						尺寸 (mm)					
	T7BB	T7BBS	T67CB T6CC	T67DB T6DC	T6DDS	T67EB T6EC T6ED	L1	L2	直径	K1 x K2	H1	M1
1	平键 : No SAE (Ø22)		238	238			58.2	31.7	22.225 - 22.200	4.76 x 4.71	24.53	
	平键 : SAE C (Ø31)				721	686	83.6	49.3	31.750 - 31.700	7.94 x 7.89	35.27	M10 x 20.0
	平键 : SAE CC (Ø38)					●	90.9	50.8	38.100 - 38.050	9.52 x 9.47	42.36	M10 x 20.0
2	平键 : SAE BB (Ø25)		357	357 <sup>1</sup>			71.4	38.1	25.400 - 25.370	6.35 x 6.30	28.22	M8 x 16.0
	平键 : No SAE (Ø31)				577		73.2	38.1	31.750 - 31.700	7.94 x 7.89	35.27	
	平键 : SAE-CC					●	91.0	50.8	38.100 - 38.050	9.52 x 9.47	42.36	M10 x 20
	平键 : No SAE (Ø31)					577	61.9	38.1	31.750 - 31.700	7.94 x 7.89	35.27	
3	花键 : SAE B		●				40.7	24.5	Class 1-J498b, 16/32 d.p. - 13 牙			
	花键 : SAE BB			545			45.5	24.5	Class 1-J498b, 16/32 d.p. - 15 牙			
	花键 : SAE C				●	971	●	55.7	38.0	Class 1-J498b, 12/24 d.p. - 14 牙		
4	花键 : SAE BB		●				45.6	24.5	Class 1-J498b, 16/32 d.p. - 15 牙			
	花键 : No SAE				●		77.7	48.0	Class 1-J498b, 12/24 d.p. - 14 牙			
	花键 : SAE BB					570	46.0	31.5	Class 1-J498b, 16/32 d.p. - 15 牙			
	花键 : SAE CC					●	62.2	31.5	Class 1-J498b, 12/24 d.p. - 17 牙			
5	花键 d : SAE B			343			40.7	24.5	Class 1-J498b, 16/32 d.p. - 13 牙			
	平键 : No SAE (Ø34)				● <sup>2</sup>	883	83.4	60.0	34.900 - 34.875	7.94 x 7.89	38.42	M8 x 16
	平键 : ISO (Ø25)	●					70.0	40.0	25.006 - 24.993	8.0 x 7.96	28.22	
R	平键 (Ø25)			302 <sup>1</sup>			48.7	31.8	25.400 - 25.370	6.35 x 6.30	28.22	M8 x 16
V	平键 (Ø32)			545 <sup>1</sup>			89.0	50.0	32.000 - 31.960	10.00 x 9.98	35.40	M12 x 24
X	平键 (Ø27)			423 <sup>1</sup>			64.1	49.2	26.950 - 26.920	6.35 x 6.30	29.85	M8 x 16
W	平键 (Ø31)			545 <sup>1</sup>			55.5	38.1	31.750 - 31.700	7.94 x 7.89	35.27	M8 x 16

<sup>1</sup> T67CBW, T6CCW

<sup>2</sup> T67DBW, T6DCW

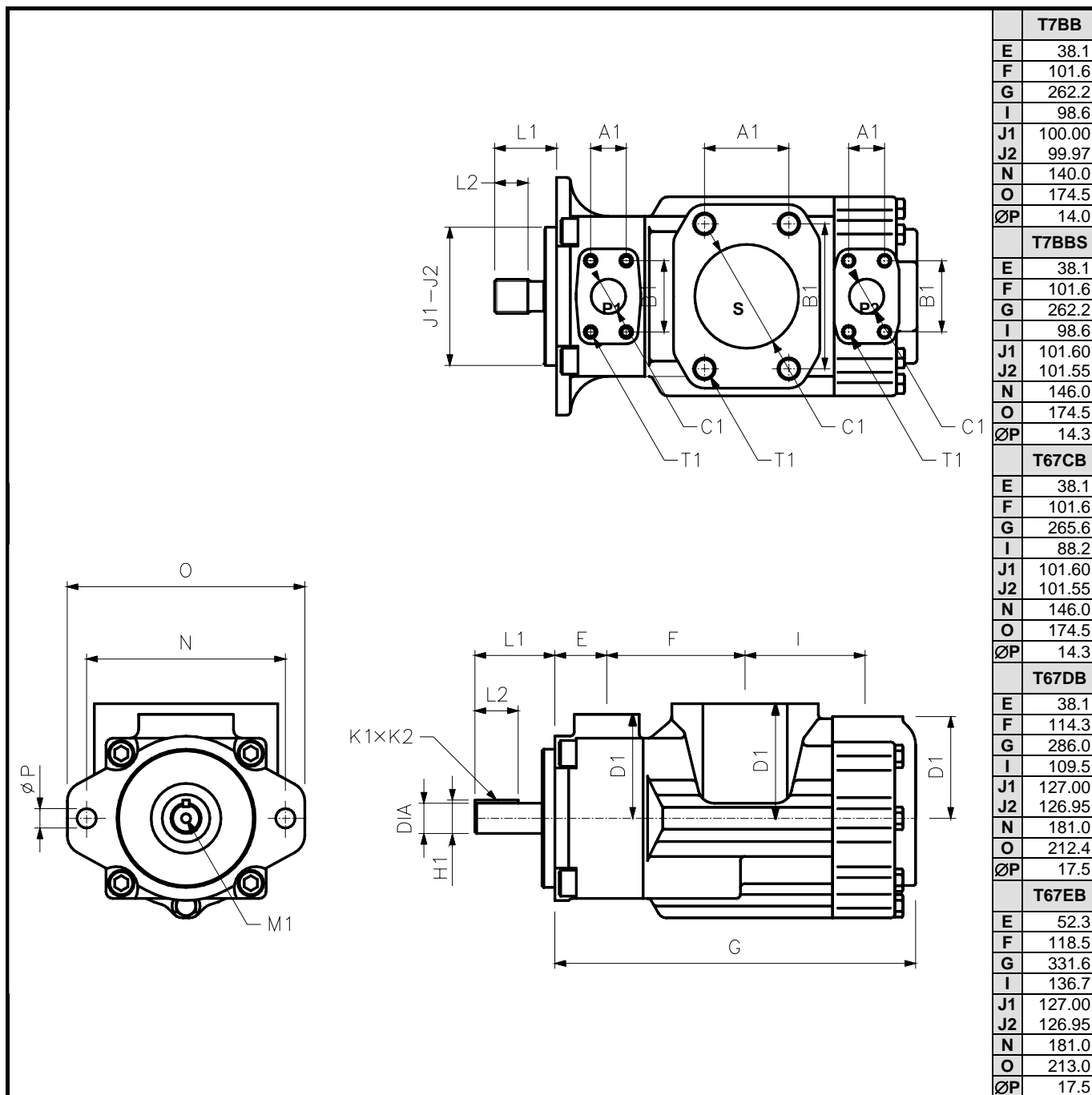
葉片泵 - 雙聯泵



T6CC	
E	38.1
F	101.6
G	265.6
I	88.2
J1	101.60
J2	101.55
N	146.0
O	174.5
ØP	14.3
T6DC	
E	38.1
F	114.3
G	286.0
I	109.5
J1	127.00
J2	126.95
N	181.0
O	212.4
ØP	17.5
T6DDS	
E	38.1
F	148.5
G	348.0
I	148.5
J1	127.00
J2	126.95
N	181.0
N1	114.5
O	213.0
ØP	17.5
T6EC	
E	52.3
F	118.5
G	331.6
I	136.7
J1	127.00
J2	126.95
N	181.0
O	213.0
ØP	17.5
T6ED	
E	52.3
F	133.5
G	361.0
I	148.2
J1	127.00
J2	126.95
N	181.0
O	213.0
ØP	17.5

油口	尺寸 (mm)						
	A1	B1	ØC1	D1	T1 口螺紋		
					公制	UNC	
T6CC	P1	1"	26.2	52.4	25.4	76.2	<sup>3</sup> / <sub>8</sub> "-16UNC x 19.0
	P2	01-11 : <sup>3</sup> / <sub>4</sub> "	22.2	47.7	19.0	76.2	<sup>3</sup> / <sub>8</sub> "-16UNC x 19.0
		00-10 : 1"	26.2	52.4	25.4	74.7	
S	10-11 : 2 <sup>1</sup> / <sub>2</sub> "	50.8	88.9	63.5	84.1	<sup>1</sup> / <sub>2</sub> "-13UNC x 23.9	
	00-01 : 3"	61.9	106.4	76.2	84.1	<sup>5</sup> / <sub>8</sub> "-11UNC x 28.4	
T6DC	P1	1 <sup>1</sup> / <sub>4</sub> "	30.2	58.7	31.8	82.6	<sup>1</sup> / <sub>16</sub> "-14UNC x 22.3
	P2	1"	26.2	52.4	25.0	74.7	<sup>3</sup> / <sub>8</sub> "-16UNC x 19.0
	S	3"	62.0	106.4	76.0	88.9	<sup>5</sup> / <sub>8</sub> "-11UNC x 28.4
T6DDS	P1	1 <sup>1</sup> / <sub>4</sub> "	30.2	58.7	31.8	82.6	M12 x 22.3
	P2	1 <sup>1</sup> / <sub>4</sub> "	30.2	58.7	31.8	101.6	<sup>1</sup> / <sub>16</sub> "-14UNC x 24.0
	S	4"	77.8	130.2	101.6	115.0	M16 x 30.0
T6EC	P1	1 <sup>1</sup> / <sub>2</sub> "	35.7	69.8	37.1	98.4	<sup>1</sup> / <sub>2</sub> "-13UNC x 23.4
	P2	1"	26.2	52.4	25.0	74.7	<sup>3</sup> / <sub>8</sub> "-16UNC x 19.0
	S	3 <sup>1</sup> / <sub>2</sub> "	69.9	120.6	88.9	102.4	<sup>5</sup> / <sub>8</sub> "-11UNC x 29.5
T6ED	P1	1 <sup>1</sup> / <sub>2</sub> "	35.7	69.8	37.1	98.4	<sup>1</sup> / <sub>2</sub> "-13UNC x 23.4
	P2	1 <sup>1</sup> / <sub>4</sub> "	30.2	58.7	29.5	101.6	<sup>1</sup> / <sub>16</sub> "-14UNC x 24.0
	S	4"	77.8	130.2	101.6	102.4	<sup>5</sup> / <sub>8</sub> "-11UNC x 30.0

葉片泵 - 雙聯泵



<b>T7BB</b>	
E	38.1
F	101.6
G	262.2
I	98.6
J1	100.00
J2	99.97
N	140.0
O	174.5
ØP	14.0
<b>T7BBS</b>	
E	38.1
F	101.6
G	262.2
I	98.6
J1	101.60
J2	101.55
N	146.0
O	174.5
ØP	14.3
<b>T67CB</b>	
E	38.1
F	101.6
G	265.6
I	88.2
J1	101.60
J2	101.55
N	146.0
O	174.5
ØP	14.3
<b>T67DB</b>	
E	38.1
F	114.3
G	286.0
I	109.5
J1	127.00
J2	126.95
N	181.0
O	212.4
ØP	17.5
<b>T67EB</b>	
E	52.3
F	118.5
G	331.6
I	136.7
J1	127.00
J2	126.95
N	181.0
O	213.0
ØP	17.5

油口			尺寸 (mm)					T1 口螺紋	
			A1	B1	ØC1	D1	公制	UNC	
T7BB T7BBS	P1	◆1:3/4" ◆0: 1"	22.2 26.2	47.6 52.4	19.0 25.4	74.7	M10 x 19.0	3/8"-16UNC x 19.0	
	P2	3/4"	22.2	47.6	19.0	74.7	M10 x 19.0	3/8"-16UNC x 19.0	
	S	2 1/2"	50.8	88.9	63.5	84.1	M12 x 22.4	1/2"-13UNC x 23.9	
T67CB	P1	1"	26.2	52.4	25.4	76.2	M10 x 19.0	3/8"-16UNC x 19.0	
	P2	3/4"	22.2	47.7	19.0	76.2	M10 x 19.0	3/8"-16UNC x 19.0	
	S	2 1/2"	50.8	88.9	63.5	84.1	M12 x 30.0	1/2"-13UNC x 23.9	
T67DB	P1	1 1/4"	30.2	58.7	31.8	82.6	M12 x 22.3	7/16"-14UNC x 22.3	
	P2	3/4"	22.2	47.7	19.0	74.7	M10 x 19.0	3/8"-16UNC x 19.0	
	S	3"	62.0	106.4	76.0	88.9	M16 x 28.4	5/8"-11UNC x 28.4	
T67EB	P1	1 1/2"	35.7	69.8	37.1	98.4	M12 x 23.5	1/2"-13UNC x 23.4	
	P2	3/4"	22.2	47.7	19.0	74.7	M10 x 19.0	3/8"-16UNC x 19.0	
	S	3 1/2"	69.9	120.6	88.9	102.4	M16 x 29.5	5/8"-11UNC x 29.5	